

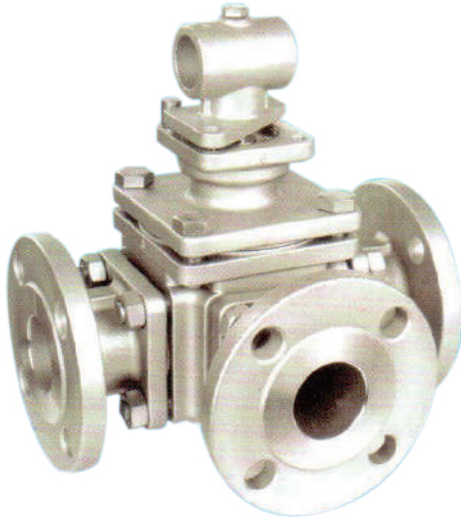


TXMC



PRODUCT/ MANUAL VALVE

3WFV Series 3 Way Manual Flange Ball Valve

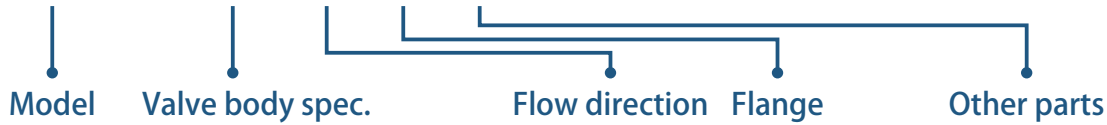


Specifications Characteristics

Model	3WFV Series
Medium Temp.	-20°C - 150°C
ENV Temp.	Temp. -10 - 55°C ; Humidity. 10 - 90% RH
Pressure	0 - 1.0 Mpa
Flow Direction	L-Type (T-Type)
Body Material	Stainless steel 316
Valve rod Mat.	Stainless steel 316
Gasket Material	PTFE
Stem Material	Stainless steel 316
Seat Material	PTFE
Handle Material	SUS304+Plastic
Flange spec.	JIS 10K / JISB2220 Standard ANSI 150LB / ANSI B16.5 Standard

How to select model

3WFV - 100 L J



Flange	Diameter	DN	Code
	1/2"	15	15
	3/4"	20	20
	1"	25	25
	1-1/2"	40	40
	2"	50	50
	2-1/2"	65	65
	3"	80	80
	4"	100	100
	6"	150	150

Spec.	Code
L-Type	L-Type
T-Type	T-Type

Spec.	Code
JIS10K	J
ANSI150LB	A

Spec.	Code
TFM4215	X

Angle Port	0°	90°	180°	270°
L-Type				
T-Type				

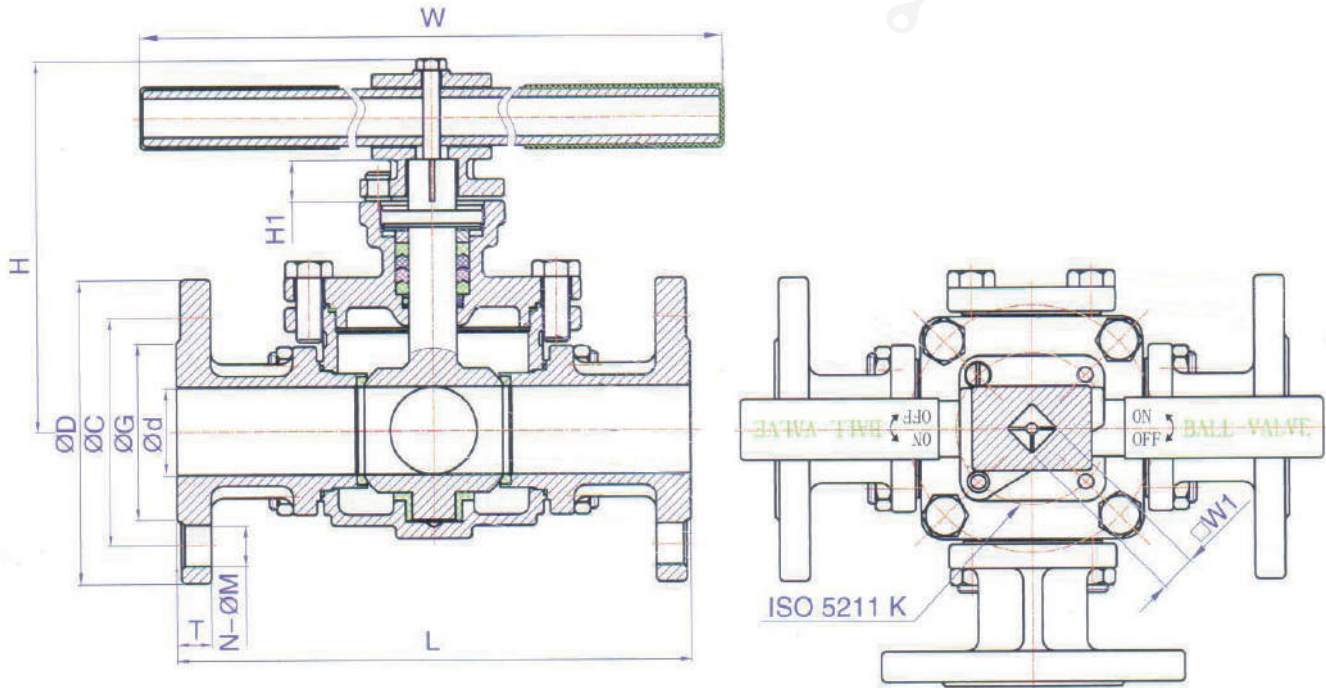


TXMC

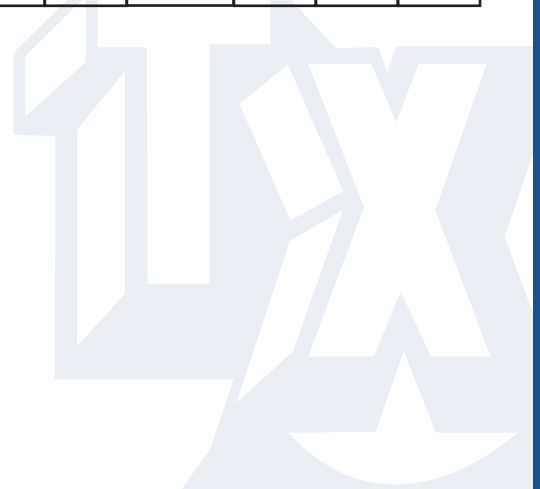


PRODUCT/ MANUAL VALVE

Dimension (JIS-10K)



Diameter	d	D	C	G	T	N	M	L	H	W	ISO 5211	K	H1	W1
1/2"	15	95	70	51	12	4	15	160	80	123	F03-F04	36-42	9	9
3/4"	20	100	75	56	14	4	15	165	84	123	F03-F04	36-42	9	9
1"	25	125	90	67	14	4	19	180	96	153	F04-F05	42-50	11	11
1-1/2"	40	140	105	81	16	4	19	221	171	403	F07	70	19	17
2"	50	155	120	96	16	4	19	254	176	403	F07	70	19	17
2-1/2"	65	175	140	116	18	4	19	300	198	504	F10	102	24	22
3"	76	185	150	126	18	8	19	305	216	504	F10	102	24	22
4"	96	210	175	151	18	8	19	369	236	504	F10	102	24	22
6"	148	280	240	212	22	8	23	480	329	800	F14	140	38	36



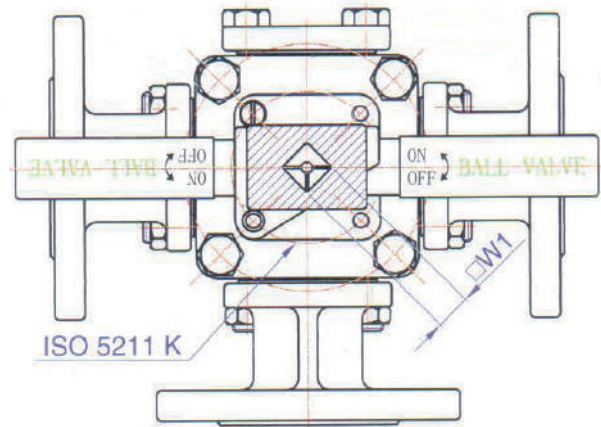
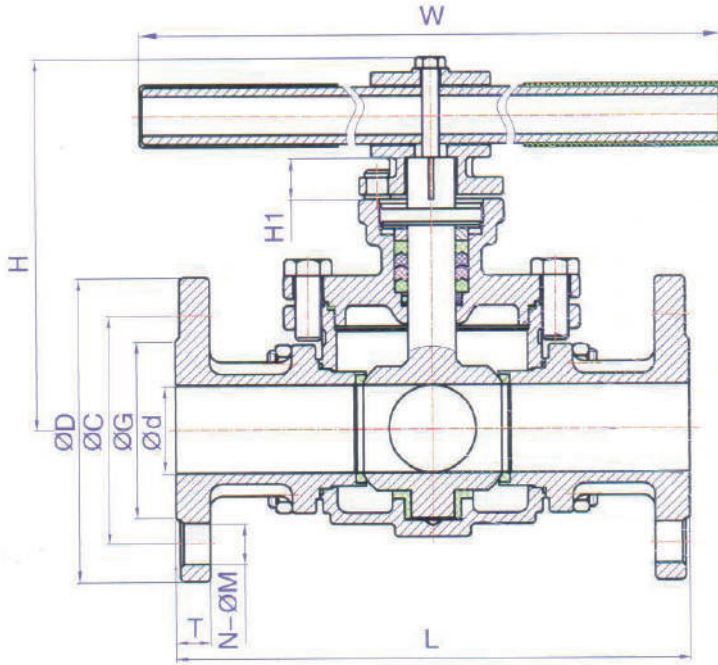


TXMC



PRODUCT/ MANUAL VALVE

Dimension (ANSI 150LB)



Diameter	d	D	C	G	T	N	M	L	H	W	ISO 5211	K	H1	W1
1/2"	15	89	60.5	35	12.1	4	16	148	80	123	F03-F04	36-42	9	9
3/4"	20	98	70	43	12.1	4	16	153	84	123	F03-F04	36-42	9	9
1"	25	108	79.5	51	12.1	4	16	180	96	153	F04-F05	42-50	11	11
1-1/2"	40	127	98.5	73	14.3	4	16	221	171	403	F07	70	19	17
2"	50	152	120.5	92	15.9	4	19	254	176	403	F07	70	19	17
2-1/2"	65	178	139.5	105	17.5	4	19	300	198	504	F10	102	24	22
3"	76	190	152.5	127	19.1	4	19	305	216	504	F10	102	24	22
4"	96	229	190.5	157	23.9	8	19	369	236	504	F10	102	24	22
6"	148	279	241.5	216	25.4	8	22	480	329	800	F14	140	38	36